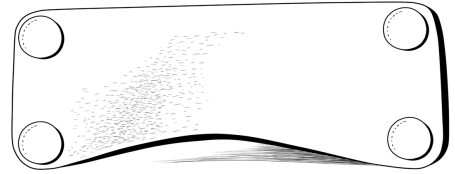


Walnut combines thoughtful modern design with old-world craft.

🌐 walnutstudiolo.com  
📞 503.447.6889

## “The Morrison” Leather Drawer Pull Installation Instructions

- Gather your tools: drill, screwdriver, ruler, pencil.
- Enclosed is an installation template. Fold the paper template at or between one of the FOLD LINE guidelines to match your desired height from the top of the drawer. Measure to make sure the template is centered on the drawer's width.
- Mark the center of the four crosshairs with a pencil.
- Drill a pilot hole using a 1/8" drill bit right where you made your four marks. Next make the holes larger by using a 7/32" drill bit.
- Insert the provided Chicago-screw (surfaceless head) through the leather and into the holes you drilled in the door/drawer. You will need to bend the leather into place, creating the concave grip.
- The hardware provided includes a few back screws of different lengths for doors and drawers of differing thicknesses. Choose the back-screw that fits your project the best. Secure the pull by tightening the chosen back screw into the Chicago-screw on the backside of the door/drawer. Nicely done!!



We'd love to see pictures of your installations! Share them with us at [walnutstudiolo@gmail.com](mailto:walnutstudiolo@gmail.com), or find us on social media as [@walnutstudiolo](https://www.instagram.com/walnutstudiolo)

### What to do with that extra hardware?

We include duplicate hardware with your handle for max flexibility. Instead of throwing away, you could:

- a) keep it for future use, in case you want to move the handles, b) recycle it with mixed metals, or
- c) mail it back to us for re-use: Walnut Studiolo - Reuse Program, 36005 Hwy 53, Nehalem OR 97131.



walnut

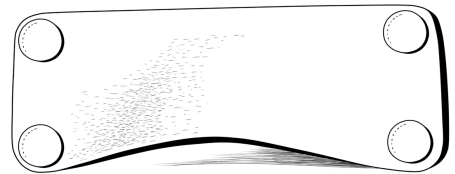


Walnut combines thoughtful modern design with old-world craft.

🌐 walnutstudiolo.com  
📞 503.447.6889

## “The Morrison” Leather Drawer Pull Installation Instructions

- Gather your tools: drill, screwdriver, ruler, pencil.
- Enclosed is an installation template. Fold the paper template at or between one of the FOLD LINE guidelines to match your desired height from the top of the drawer. Measure to make sure the template is centered on the drawer's width.
- Mark the center of the four crosshairs with a pencil.
- Drill a pilot hole using a 1/8" drill bit right where you made your four marks. Next make the holes larger by using a 7/32" drill bit.
- Insert the provided Chicago-screw (surfaceless head) through the leather and into the holes you drilled in the door/drawer. You will need to bend the leather into place, creating the concave grip.
- The hardware provided includes a few back screws of different lengths for doors and drawers of differing thicknesses. Choose the back-screw that fits your project the best. Secure the pull by tightening the chosen back screw into the Chicago-screw on the backside of the door/drawer. Nicely done!!



We'd love to see pictures of your installations! Share them with us at [walnutstudiolo@gmail.com](mailto:walnutstudiolo@gmail.com), or find us on social media as [@walnutstudiolo](https://www.instagram.com/walnutstudiolo)

### What to do with that extra hardware?

We include duplicate hardware with your handle for max flexibility. Instead of throwing away, you could:

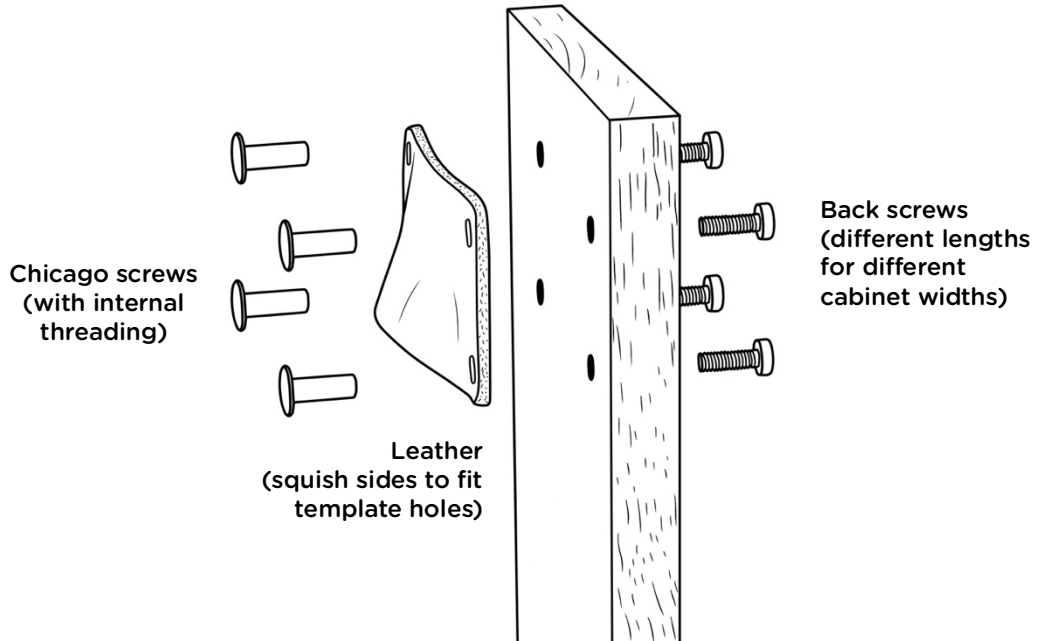
- a) keep it for future use, in case you want to move the handles, b) recycle it with mixed metals, or
- c) mail it back to us for re-use: Walnut Studiolo - Reuse Program, 36005 Hwy 53, Nehalem OR 97131.



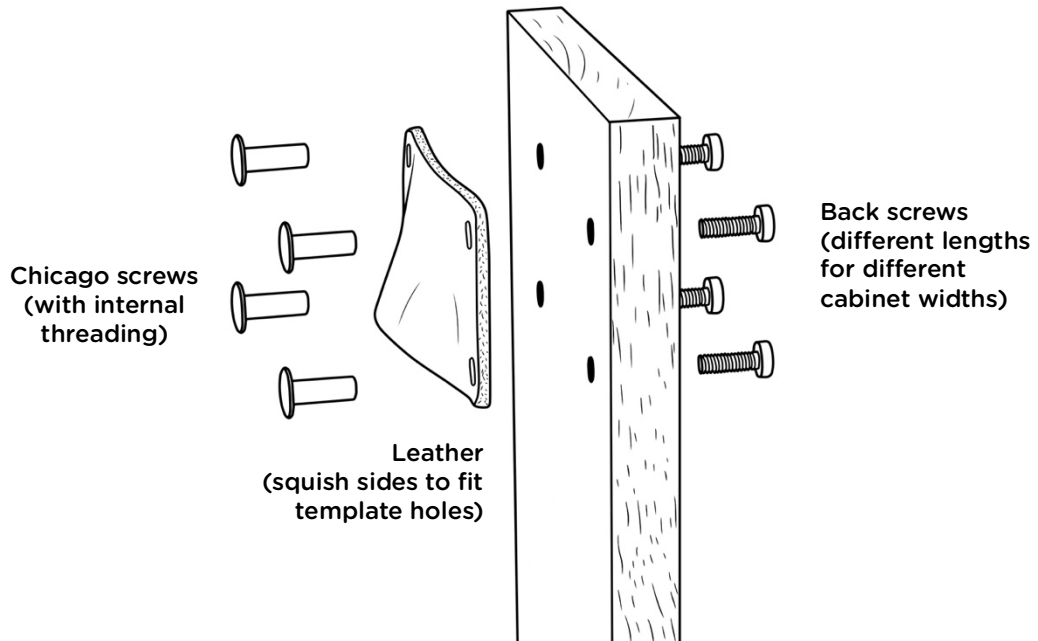
walnut



Cabinet surface:  
Holes drilled to template  
pattern (enclosed)



Cabinet surface:  
Holes drilled to template  
pattern (enclosed)



FOLD LINE

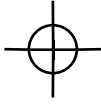
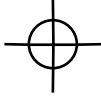
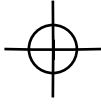
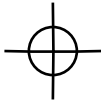
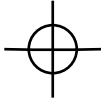
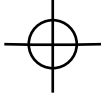
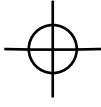
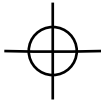
FOLD LINE

FOLD LINE

FOLD LINE

FOLD LINE

FOLD LINE



CENTER  
LINE

CENTER  
LINE